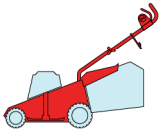
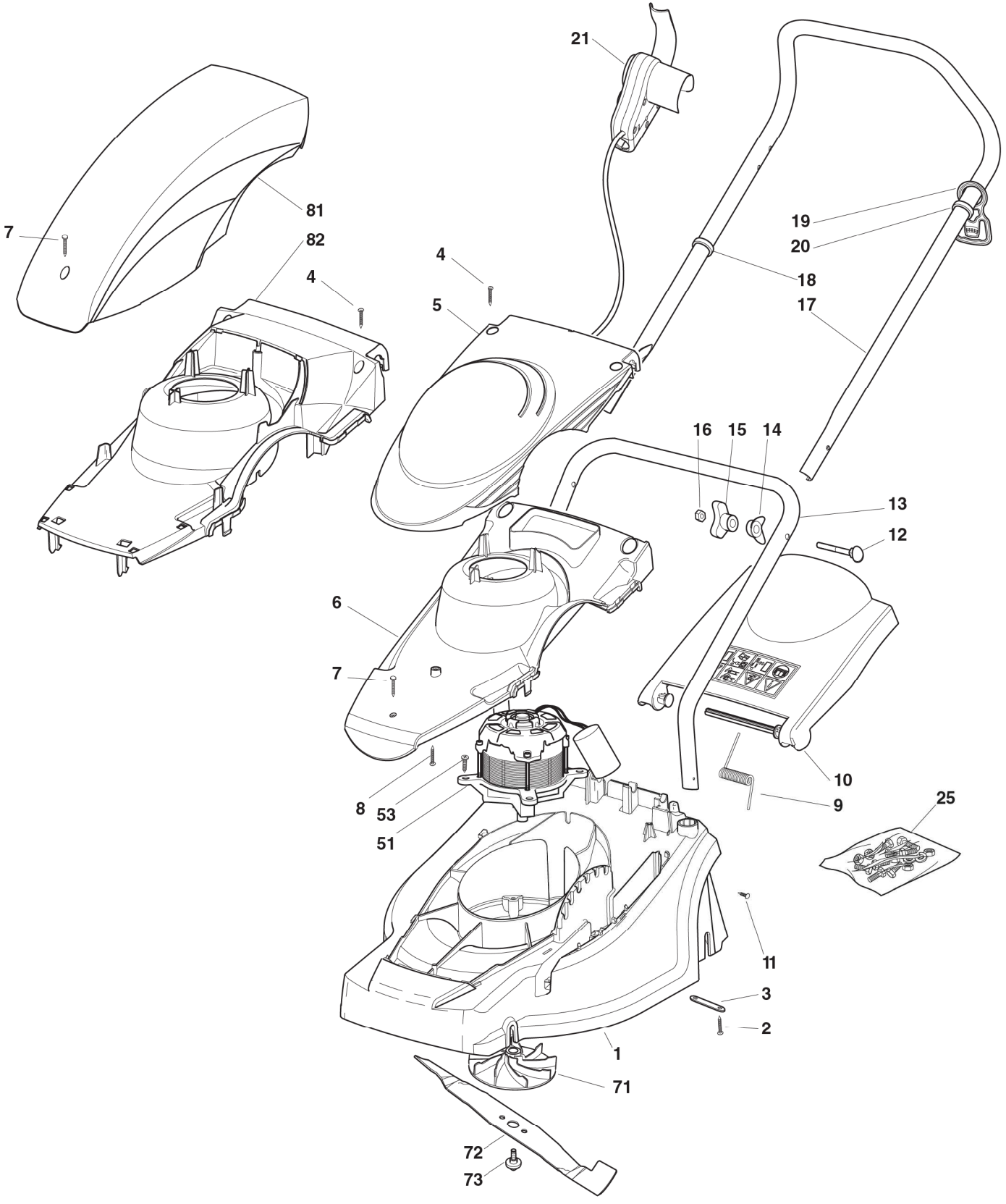


SPL 410

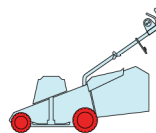


2008
181.0
1 / 2



POS.	CODE	Q.Q.TY	DESCRIZIONE	DESCRIPTION	DESCRIPTION	BESCHREIBUNG	REMARKS
1	322066733/0	1	CHASSIS ROSSO	DECK RED	CHÂSSIS ROUGE	GEHÄUSE ROT	
-	322066736/0	1	CHASSIS GIALLO	DECK YELLOW	CHÂSSIS JAUNE	GEHÄUSE GELB	
2	12728691/0	2	VITE	SCREW	VIS	SCHRAUBE	
3	22608535/0	1	PIASTRINA	PLATE	PLAQUETTE	PLÄTTCHEN	
4	12728685/0	2	VITE	SCREW	VIS	SCHRAUBE	
5	22055108/0	1	CAPOTTINA ROSSO	COVER RED	CAPOT ROUGE	HAUBE ROT	
-	22055109/0	1	CAPOTTINA GIALLO	COVER YELLOW	CAPOT JAUNE	HAUBE GELB	
-	22055124/0	1	CAPOTTINA GRIGIO	COVER GREY	CAPOT GRIS	HAUBE GRAU	
6	22109723/0	1	SUPPORTO CAPOTTINA, GRIGIO	SUPPORT, COVER	SUPPORT CAPOT	HALTER, HAUBE	
-	22109734/0	1	SUPPORTO CAPOTTINA, NERO	SUPPORT, COVER	SUPPORT CAPOT	HALTER, HAUBE	
7	12728524/0	1	VITE	SCREW	VIS	SCHRAUBE	
8	12728691/0	1	VITE	SCREW	VIS	SCHRAUBE	
9	22450423/0	1	MOLLA	SPRING	RESSORT	FEDER	
10	22600139/0	1	PARASASSI GRIGIO	STONE-GUARD, GREY	PARE-PIERRES, GRIS	PRALLBLECH, GRAU	
-	22600151/0	1	PARASASSI NERO	STONE-GUARD, GREY	PARE-PIERRES, GRIS	PRALLBLECH, S430	
11	12728450/0	2	VITE	SCREW	VIS	SCHRAUBE	
12	12819201/0	2	VITE	SCREW	VIS	SCHRAUBE	
13	81006661/0	1	MANICO INFERIORE	HANDLE, LOWER PART	MANCHERON INFERIURE	HOLM, UNTERTEIL	
14	22680006/1	2	ROSETTA	WASHER	RONDELLE	SCHEIBE	
15	22399900/0	2	MANOPOLINA	KNOB	POIGNÉE	GRIFF	
16	12293200/0	2	DADO	NUT	ECROU	MUTTER	
17	81006571/0	1	MANICO SUPERIORE	HANDLE, UPPER PART	MANCHERON SUPERIEURE	HOLM, OBERTEIL	
18	22192000/1	2	FASCETTA	ANCHOR CLAMP	COLLIER ANCRAGE	BOWDENZUGHALTER	
19	22195101/4	1	FERMACAVO	FAIRLEAD	FIXATION CABLE	KABELBEFESTIGUNG	
20	22192151/0	1	FASCETTA	ANCHOR CLAMP	COLLIER ANCRAGE	BOWDENZUGHALTER	
21	-	1	SALVAMOTORE	DEAD HAND SWITCH	INT. MAIN MORTE	TOT MANSCHALTER	(SEE ENCLOSURE 4)
25	81008674/0	1	DOTAZIONE VITERIA	OUTFIT, SCREWS	DOTATION VISSERIE	SATZ, SCHRAUBEN	
51	18563653/0	1	MOTORE	MOTOR	MOTEUR	MOTOR	230-240V (1300W)
-	18563654/0	1	MOTORE	MOTOR	MOTEUR	MOTOR	230-240V (1500W)
53	12735410/0	4	VITE	SCREW	VIS	SCHRAUBE	
71	22465602/0	1	MOZZO	HUB	MOYEU	HALTER	
72	81004145/0	1	COLTELLO	BLADE	LAME	MESSER	
73	81004352/0	1	VITE	SCREW	VIS	SCHRAUBE	
81	22055123/0	1	CAPOTTINA GRIGIO	COVER GREY	CAPOT GRIS	HAUBE GRAU	
82	22109733/0	1	SUPPORTO CAPOTTINA, GRIGIO	SUPPORT, COVER	SUPPORT CAPOT	HALTER, HAUBE	

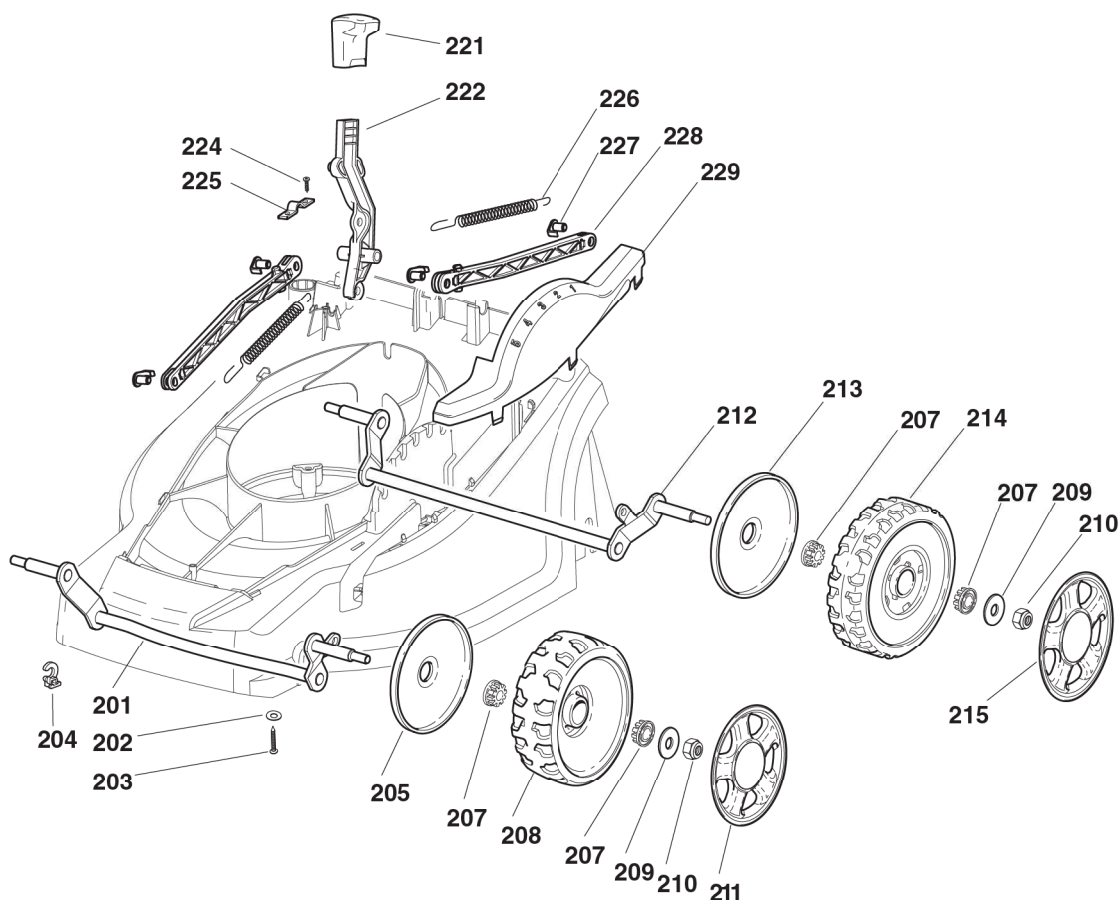
SPL 410



2008

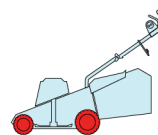
182.0

1 / 1

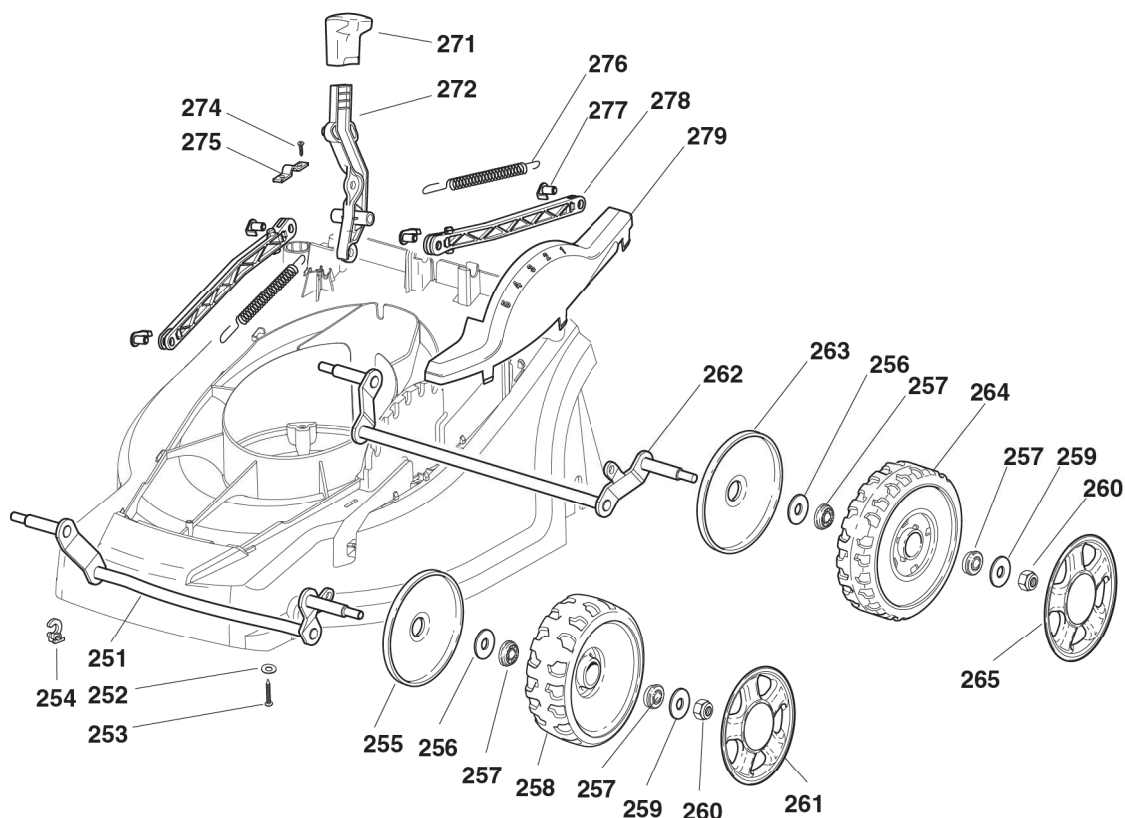


POS.	CODE	Q.TY	DESCRIZIONE	DESCRIPTION	DESCRIPTION	BESCHREIBUNG	REMARKS
201	81002837/0	1	ASSE RUOTE ANTERIORI	AXLE, FRONT WHEELS	AXE ROUES AVANT	ACHSE, VORDERRAD	
202	12523050/0	4	ROSETTA	WASHER	RONDELLE	SCHEIBE	
203	12728680/0	4	VITE	SCREW	VIS	SCHRAUBE	
204	22170631/0	2	DISTANZIALE	SPACER	ENTRETOISE	DISTANZRING	
205	22600095/0	2	PROT. RUOTE	PROTECTION, WHEEL	PROTECTION ROUE	SCHÜTZ, RÄDER	
207	22034508/0	8	BUSSOLA	BUSH	DOUILLE	BUCHSE	
208	22686091/1	2	RUOTA Ø 165	WHEEL Ø 165	ROUE Ø 165	RAD Ø 165	
209	12523060/0	4	ROSETTA	WASHER	RONDELLE	SCHEIBE	
210	12155000/0	4	DADO	NUT	ECROU	MUTTER	
211	-	2	COPRIMOZZO	HUB CAP	COUVRE-MOYEU	RADKAPPE	(SEE ENCLOSURE 1)
212	81002839/0	1	ASSE RUOTE POSTERIORI	AXLE, REAR WHEELS	AXE ROUES ARRIERE	ACHSE, HINTERRAD	
213	22600131/0	2	PROT. RUOTE	PROTECTION, WHEEL	PROTECTION ROUE	SCHÜTZ, RÄDER	
214	22686092/0	2	RUOTA Ø 190	WHEEL Ø 190	ROUE Ø 190	RAD Ø 190	
215	-	2	COPRIMOZZO	HUB CAP	COUVRE-MOYEU	RADKAPPE	(SEE ENCLOSURE 2)
221	22399818/0	1	MANOPOLINA	KNOB	POIGNÉE	GRIFF	
222	322321535/0	1	LEVA REGOLAZIONE ALTEZZA	LEVER, HEIGHT ADJUSTMENT	LEVIER REGLAGE HAUTEUR	HEBEL, HÖNEVERSTELLUNG	
224	12728691/0	2	VITE	SCREW	VIS	SCHRAUBE	
225	25547049/0	1	PIASTRINA	PLATE	PLAQUETTE	PLÄTTCHEN	
226	22450424/0	2	MOLLA	SPRING	RESSORT	FEDER	
227	22524338/0	4	PERNO	PIN	PIVOT	BOLZEN	
228	22869668/0	2	TIRANTE	TIE ROD	TIRANT	SPANNSTANGE	
229	22109724/0	1	CARTER GRIGIO	COVER, GREY	COUVRE, GRIS	KAPPE, GRAU	
-	22109731/0	1	CARTER NERO	COVER, GREY	COUVRE, GRIS	KAPPE, SCHWARZ	

SPL 410

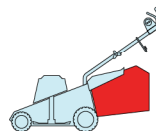


2008
182a.0
1 / 1



POS.	CODE	Q.TY	DESCRIZIONE	DESCRIPTION	DESCRIPTION	BESCHREIBUNG	REMARKS
251	81002837/0	1	ASSE RUOTE ANTERIORI	AXLE, FRONT WHEELS	AXE ROUES AVANT	ACHSE, VORDERRAD	
252	12523050/0	4	ROSETTA	WASHER	RONDELLE	SCHEIBE	
253	12728680/0	4	VITE	SCREW	VIS	SCHRAUBE	
254	22170631/0	2	DISTANZIALE	SPACER	ENTRETOISE	DISTANZRING	
255	22600095/0	2	PROT. RUOTE	PROTECTION, WHEEL	PROTECTION ROUE	SCHÜTZ, RÄDER	
256	22675100/0	4	ROSETTA	WASHER	RONDELLE	SCHEIBE	
257	22122200/0	8	CUSCINETTO	BEARING	COUSSINET	LAGER	
258	22686091/1	2	RUOTA Ø 165	WHEEL Ø 165	ROUE Ø 165	RAD Ø 165	
259	12523060/0	4	ROSETTA	WASHER	RONDELLE	SCHEIBE	
260	12155000/0	4	DADO	NUT	ECROU	MUTTER	(SEE ENCLOSURE 1)
261	-	2	COPRIMOZZO	HUB CAP	COUVRE-MOYEU	RADKAPPE	
262	81002839/0	1	ASSE RUOTE POSTERIORI	AXLE, REAR WHEELS	AXE ROUES ARRIERE	ACHSE, HINTERRAD	
263	22600131/0	2	PROT. RUOTE	PROTECTION, WHEEL	PROTECTION ROUE	SCHÜTZ, RÄDER	
264	22686092/0	2	RUOTA Ø 190	WHEEL Ø 190	ROUE Ø 190	RAD Ø 190	
265	-	2	COPRIMOZZO	HUB CAP	COUVRE-MOYEU	RADKAPPE	(SEE ENCLOSURE 2)
271	22399818/0	1	MANOPOLINA	KNOB	POIGNÉE	GRIFF	
272	322321535/0	1	LEVA REGOLAZIONE ALTEZZA	LEVER, HEIGHT ADJUSTMENT	LEVIER REGLAGE HAUTEUR	HEBEL, HÖNEVERSTELLUNG	
274	12728691/0	2	VITE	SCREW	VIS	SCHRAUBE	
275	25547049/0	1	PIASTRINA	PLATE	PLAQUETTE	PLÄTTCHEN	
276	22450424/0	2	MOLLA	SPRING	RESSORT	FEDER	
277	22524338/0	4	PERNO	PIN	PIVOT	BOLZEN	
278	22869668/0	2	TIRANTE	TIE ROD	TIRANT	SPANNSTANGE	
279	22109724/0	1	CARTER GRIGIO	COVER, GREY	COUVRE, GRIS	KAPPE, GRAU	
-	22109731/0	1	CARTER NERO	COVER, GREY	COUVRE, GRIS	KAPPE, SCHWARZ	

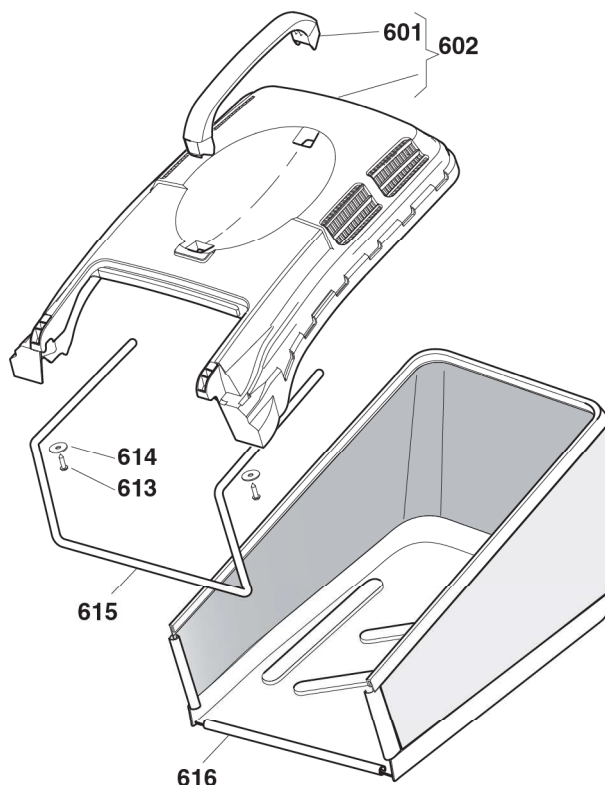
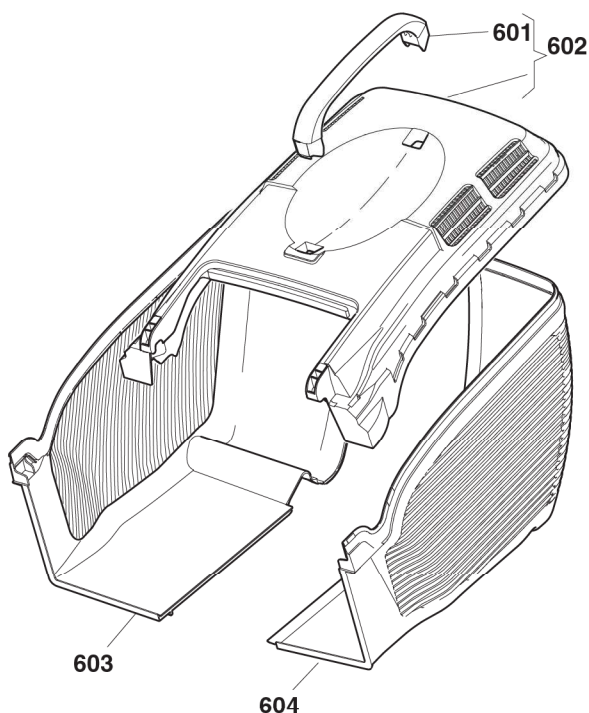
SPL 410



2008

183.0

1 / 1



601	22393614/0	1	MANIGLIA GRIGIO	HANDLE, GREY	POIGNEE, GRIS	GRIFF, GRAU	
602	81000460/0	1	PARTE SUP.SACCO, ROSSO	GRASSBOX UPPER PART	SAC, PARTIE SUPERIEURE	KORB OBERTEIL	
-	81000461/0	1	PARTE SUP.SACCO, GIALLO	GRASSBOX UPPER PART	SAC, PARTIE SUPERIEURE	KORB OBERTEIL	
603	22486176/0	1	PARTE INFER. SACCO DX	GRASSBOX LOWER PART (R)	SAC, PARTIE INFERIEURE (D)	KORB UNTERTEIL (R)	
604	22486177/0	1	PARTE INFER. SACCO SX	GRASSBOX LOWER PART (L)	SAC, PARTIE INFERIEURE (G)	KORB UNTERTEIL (L)	
611	22393614/0	1	MANIGLIA GRIGIO	HANDLE, GREY	POIGNEE, GRIS	GRIFF, GRAU	
612	81000460/0	1	PARTE SUP.SACCO, ROSSO	GRASSBOX UPPER PART	SAC, PARTIE SUPERIEURE	KORB OBERTEIL	
-	81000461/0	1	PARTE SUP.SACCO, GIALLO	GRASSBOX UPPER PART	SAC, PARTIE SUPERIEURE	KORB OBERTEIL	
613	12728680/0	2	VITE	SCREW	VIS	SCHRAUBE	
614	12523050/0	2	ROSETTA	WASHER	RONDELLE	SCHEIBE	(SEE ENCLOSURE 1)
615	22608539/0	1	RINFORZO INF	STIFFENING LOWER	RÉNFORCEMENT INF	VERSTÄRKUNG	
616	81002266/0	1	SACCO, TELA	BOX, FABRIC	SAC, TOILE	SACK, TUCK	